



FAG

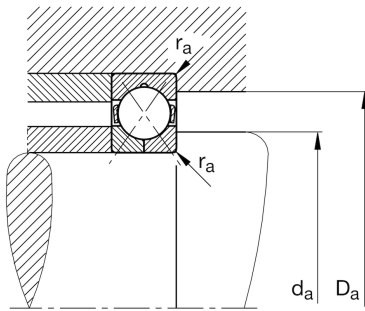
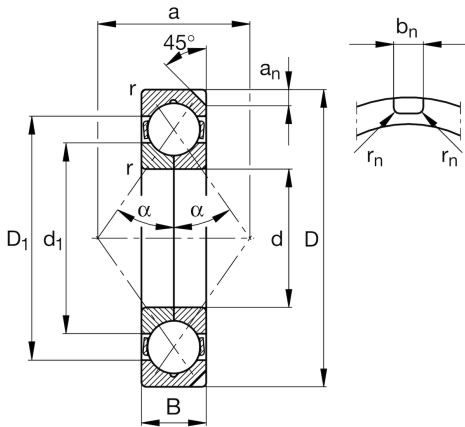
QJ314-XL-N2-MPA

Four-point contact bearing

Schaeffler ID:
0192621830000Four point contact bearing QJ3.-XL-N2-
MPA, X-life, holding grooves, solid brass
cage

X-life

Technical information



Main Dimensions & Performance Data

d	70 mm	Bore diameter
D	150 mm	Outside diameter
B	35 mm	Width
C _r	198.000 N	Basic dynamic load rating, radial
C _{0r}	165.000 N	Basic static load rating, radial
C _{ur}	11.800 N	Fatigue load limit, radial
n _G	8.900 1/min	Limiting speed
n _{gr}	4.200 1/min	Reference speed
	3,134 kg	Weight

Dimensions

r _{min}	2,1 mm	Minimum chamfer dimension
D ₁	123,6 mm	Shoulder diameter outer ring
d ₁	97,7 mm	Shoulder diameter inner ring
a	77 mm	Distance between the apexes of the pressure cones
a _n	10,1 mm	Height retaining slot
b _n	8,5 mm	Width retaining slot
r _n	2 mm	Radius retaining slot
	45 °	Angle retaining slot
α	35 °	Contact angle

Mounting dimensions

d _{a min}	82 mm	Minimum diameter shaft shoulder
D _{a max}	138 mm	Maximum diameter of housing shoulder
r _{a max}	2,1 mm	Maximum fillet radius

Temperature range

T _{min}	-30 °C	Operating temperature min.
T _{max}	150 °C	Operating temperature max.